



VENTURE FEATURES...

NXG SLIDE by Norco Industries



NXG SLIDE

The Next Generation in Slide-out Technology

MADE IN USA

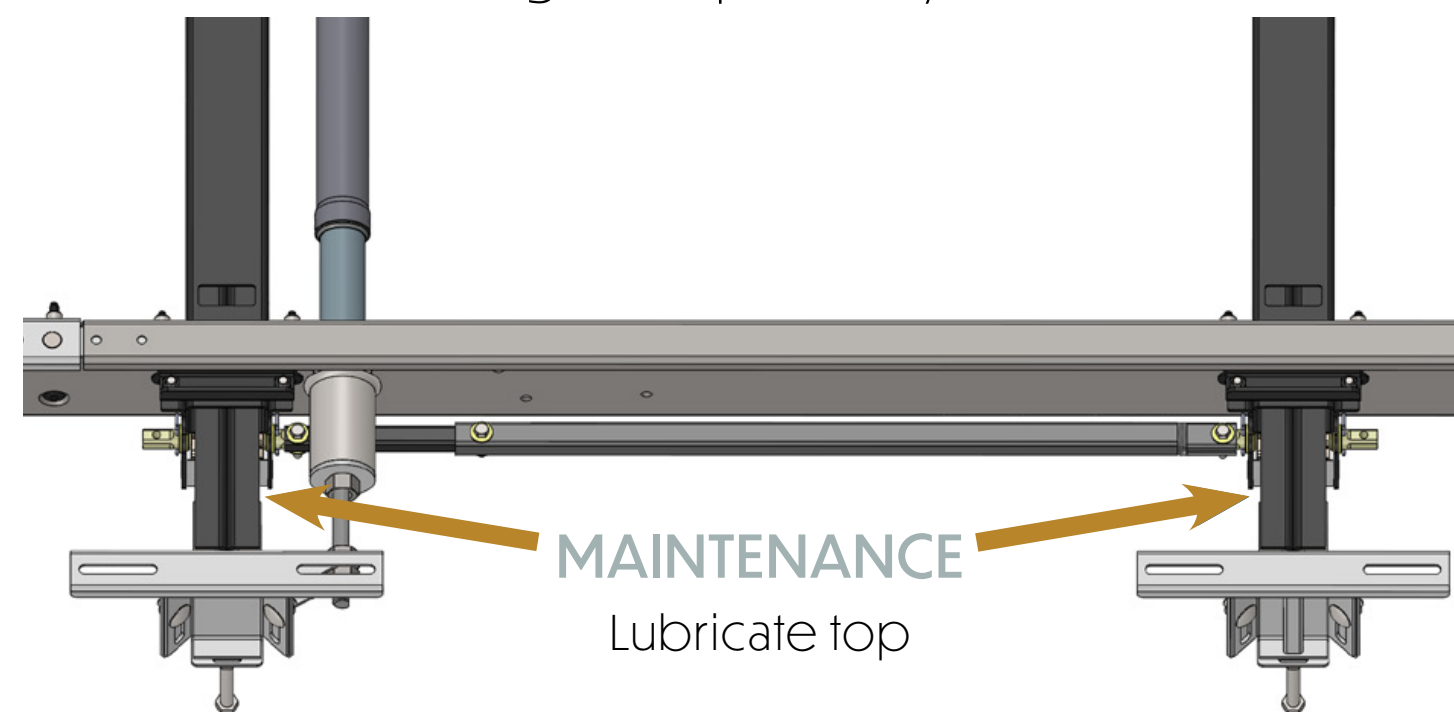
SONIC | SONIC X | STRATUS | SPORTTREK | SPORTTREK TOURING EDITION

BAL has set the new standard in slide-out technology with the award winning 'NXG SLIDE' rack drive slide-out. The NXG SLIDE system provides an unmatched level of durability and precision that was not available in older generations of slide-out mechanisms. Due to the systems rigidity and tightness, a user should experience years of trouble-free performance. All components of the NXG SLIDE mechanism

are individually coated with highly effective corrosion-resistant e-coat or plating for extended life of the slide-out drive. Required maintenance is limited to periodic cleaning and lubrication of the main drive arms of the system. For additional information regarding the NXG SLIDE or other BAL products, please visit www.norcoind.com/bal.

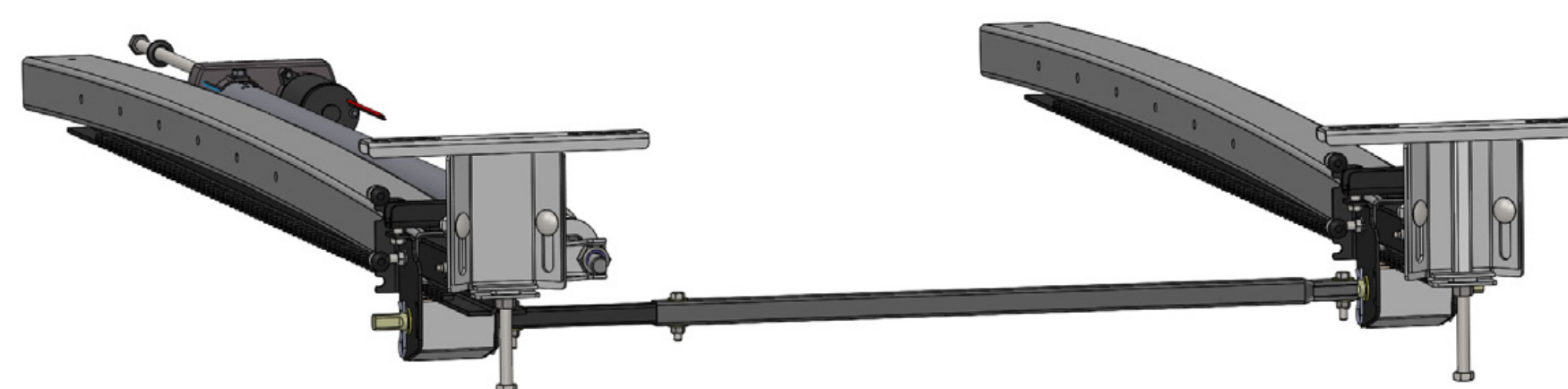
MORE SECURE CONNECTIONS

- Tighter, quieter system

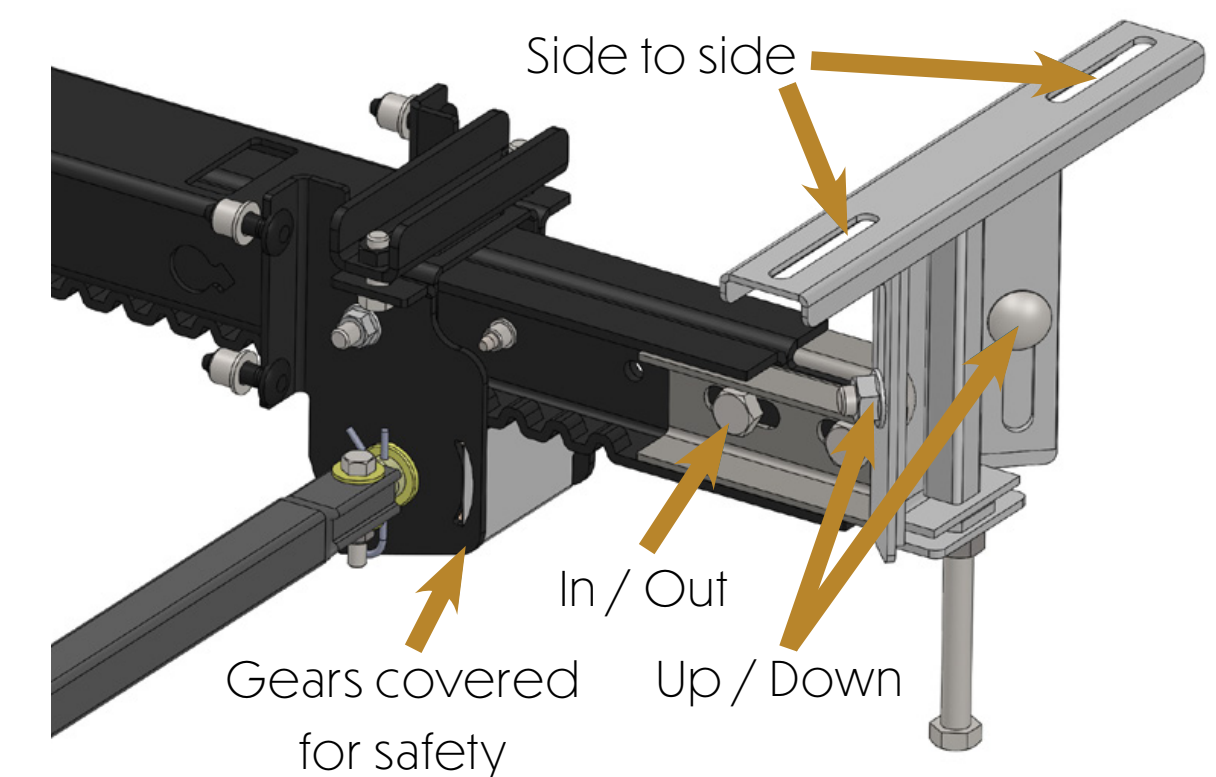


ARCHED DESIGN

- Stronger, tighter, and more durable
- Helps hold room against coach sidewall



EASY ADJUSTMENT



BAL is a registered brand of Norco Industries, Inc. Elkhart, IN USA

U.S. PATENT PENDING